



## '02-'06 V-Rod Fuel Module Component Replacement

### Purpose

To communicate the solution and timing regarding the availability of the '02-'06 VRSC and '06 VRSCR fuel pump module, fuel sending unit, and fuel module flange assembly.

### Background

The suppliers of these components can no longer produce service parts and all re-sourcing options were exhausted. As an alternative to the original components, P&A engineering has developed a retrofit assembly and kit using the current V-Rod fuel sender and fuel module to adapt to the '02-'06 V-Rod. The design incorporates the newer, more robust fuel sending unit design and fuel pump. The kit will also include a replacement instrument cluster which is why the kits are supplier direct.

The new kit will result in a higher service cost than what the customers were expecting and we apologize for any inconvenience this may cause. This was the only viable solution identified and it allows us to service '02-'06 V-Rods for several more years. In addition, H-D P&A is carrying a finite supply of other related fuel system components for the '02-'06 V-Rod which will eventually be depleted and supersede to the new retrofit kit.

Details of the contents and instructions will be included in the kits but the diagram below will provide a better understanding of what to expect.

**Expected kit MSRP: \$798.00**

**Expected availability date: mid-August, 2014**

### Action Required

Advise your staff and customers of the following:

- The service parts they were expecting will need to be replaced by a full fuel module assembly and a new instrument cluster.
- Existing orders for the parts listed below need to be cancelled immediately and new orders need to be placed for the appropriate new kit. Kits are model year and market dependent so these need to be ordered according to the chart on the next page.
- Since the odometer will need to be loaded with the motorcycle's mileage, this number will be needed from the customer's motorcycle and entered at the time the order is placed.
- Kit availability is expected in mid-August 2014
- The solution incorporates more robust and accurate fuel sensing than the original unit.





# GENUINE MOTOR PARTS AND MOTOR ACCESSORIES BULLETIN

P&A NO. 1022

DATE: 6/30/14



## Service Parts no longer available:

75123-01B – Fuel module assembly '02-'06 VRSC (obsolete)  
75146-06 – Fuel module assembly '06 VRSCR  
75272-06 - Flange, Fuel Module '06 VRSCR  
75122-01 – Fuel Sending unit '02-'06 VRSC

## New Kit Part Number Matrix

Model	Years	Units	Instrument Cluster (Included in Kit)	Top Level Kit (Order this part number)
VRSCA	2002-2006	MPH	67392-01C	60900021
VRSCA	2002-2006	km/h	67393-01C	60900022
VRSCA/B/D	2002-2006	Dual (MPH & km/h)	67394-01C	60900023
VRSCB	2004	MPH	67392-01C	60900021
VRSCB	2004	km/h	67393-01C	60900022
VRSCB/D	2005-2006	MPH	67453-05A	60900024
VRSCB/D	2005-2006	km/h	67308-05A	60900025
VRSCR	2006	MPH	67395-06B	60900026
VRSCR	2006	km/h	67396-06B	60900027
VRSCR	2006	Dual (MPH & km/h)	67397-06B	60900028



FILE FOR FUTURE REFERENCE



# GENUINE MOTOR PARTS AND MOTOR ACCESSORIES BULLETIN

P&A NO. 1022

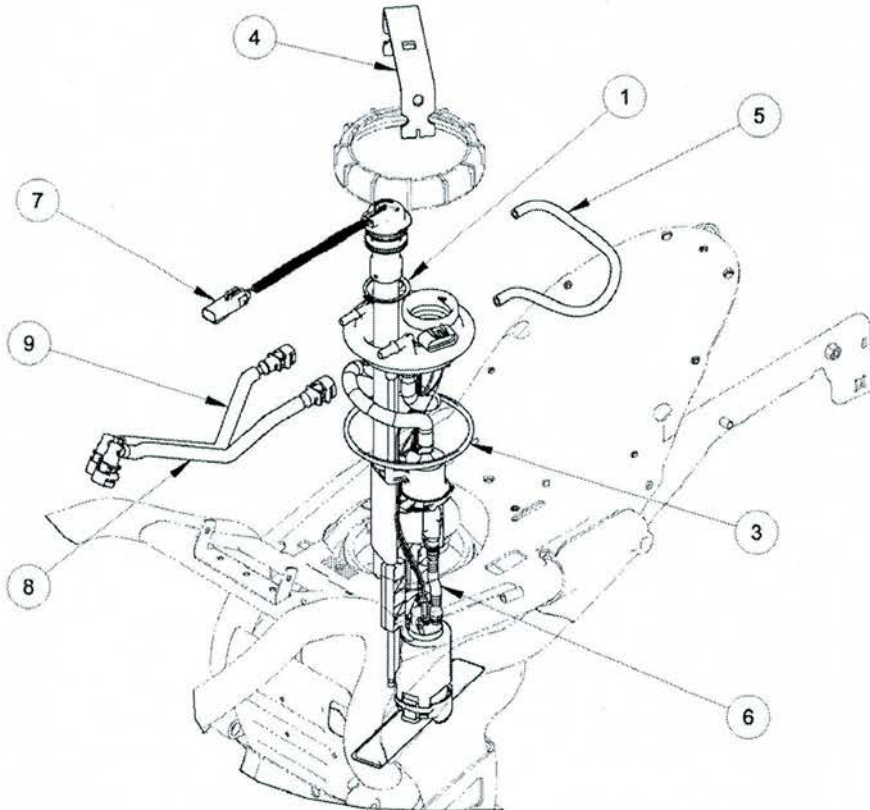
DATE: 6/30/14



## 2002-2006 VRSC Retrofit Kit

(2006 VRSCR KIT NOT SHOWN)

(Instrument Cluster NOT SHOWN)



NOT SHOWN	1	HARNES FUEL MODULE ADAPTER	10	
	1	FUEL LINE, RETURN	9	
	1	FUEL LINE, PRESSURE	8	
	1	SENSOR FUEL LEVEL	7	
	1	FUEL MODULE ASSEMBLY	6	
	1	VENT LINE FUEL TANK	5	
	1	INSTALLATION TOOL, FUEL MODULE	4	
	1	QUAD SEAL	3	
	NOT SHOWN	3	ADHESIVE STRIP	2
		1	RING, SNAP	1
QTY		NAME	ITEM	

### Questions

Please contact Technical Service with any concerns regarding application. Please direct all other questions to your Dealer Services Representative.

