

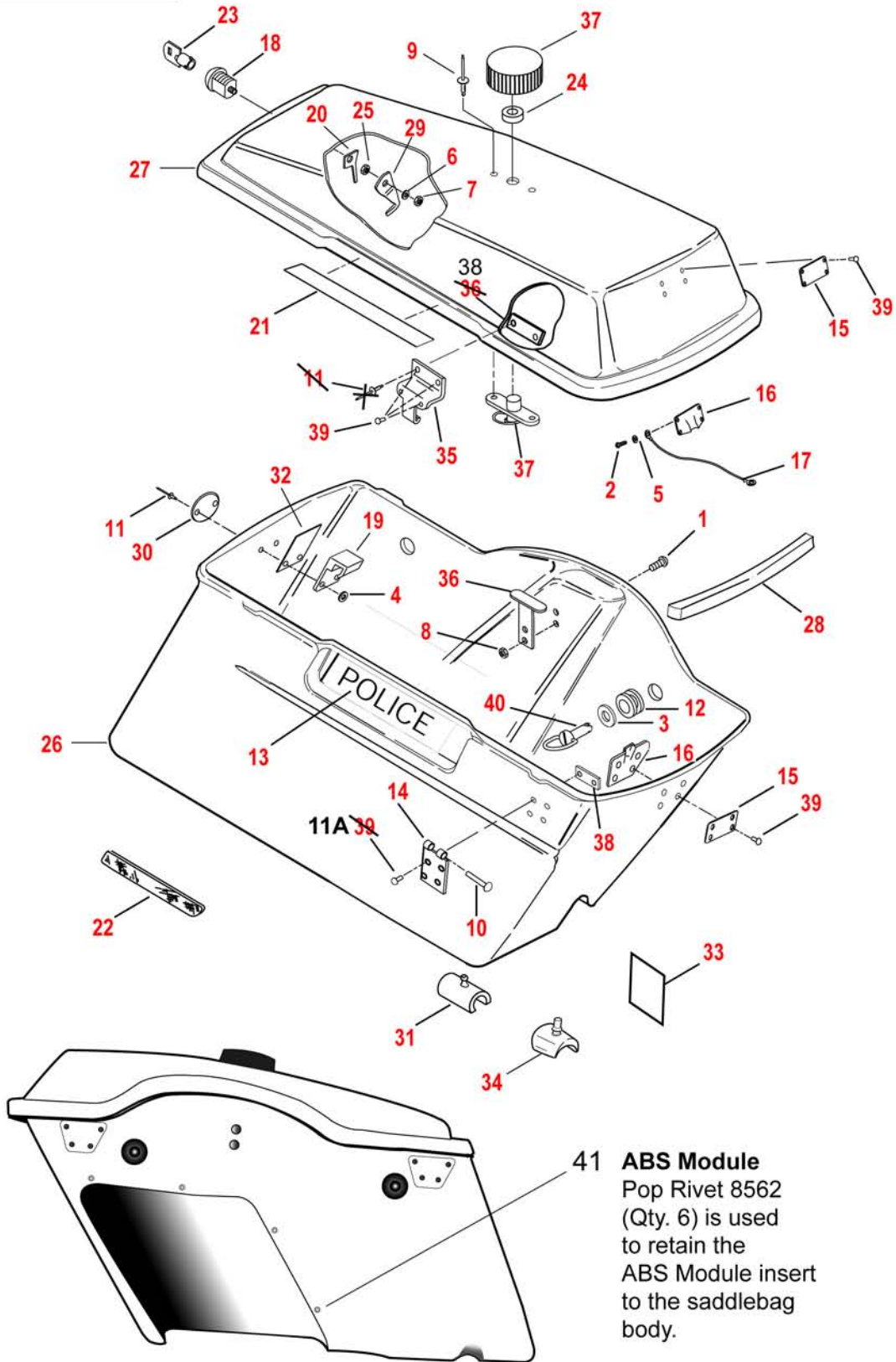
# TT 189

April 18, 2005

## **2005 FLT Police Model Parts Catalog**

There have been several corrections made to pages 144 & 145. Please print the following pages and insert them into your 2005 FLT Police Model Parts Catalog, part # 99545-05.

# SADDLEBAGS



INDEX NO.	PART NO.	DESCRIPTION	MODELS
1	2664	SCREW (4)	ALL
2	3595	SCREW (4)	ALL
3	6229W	WASHER (4)	ALL
4	6368	WASHER (4)	ALL
5	6970	WASHER (4)	ALL
6	7128	LOCKWASHER (2)	ALL
7	7586	NUT (2)	ALL
8	7838	NUT (4)	ALL
9	8483A	RIVET (4)	ALL
10	8502	RIVET (4)	ALL
11	8551	RIVET (12) (4)	ALL
11A	8557	Rivet (16)	ALL
12	11464	ISOLATOR GROMMET (4)	ALL
13	14274-93	DECAL, <del>right</del> Left (police)	ALL
	14275-93	DECAL, <del>left</del> Right (police)	ALL
	59223-93	DECAL, <del>right</del> Left (sheriff)	ALL
	59224-93	DECAL, <del>left</del> Right (sheriff)	ALL
14	53427-80	HINGE (4)	ALL
15	53478-80	BACKING PLATE (4)	ALL
16	53563-82	BRACKET, cable brace mounting (4)	ALL
17	53861-93	CABLE BRACE, cover (2)	ALL
18	53562-05	LOCK SET, complete w/ keys, key covers, cam lock, ignition switch, fork lock, FM cam lock, & cable strap (specify 4 digit key code)	
	53568-03A	LOCK SET, complete w/ keys, key covers, cam lock, ignition switch, fork lock, FH/T cam lock, & cable strap (specify 4 digit key code)	
19	53616-85	CATCH (2)	ALL
20	53617-85	GUIDE, latch (2)	ALL
21	59221-93	COVER, decal, left	ALL
	59222-93	COVER, decal, right	ALL
22	59287-92	REFLECTOR, right (red)	ALL
	59288-92	REFLECTOR, left (red)	ALL
23	71452-91A	KEY (specify 4 digit key code) (2)	ALL
	61081-92	COVER, key head set (2) (not illustrated)	ALL
24	79048-98	SEAL, latch	ALL
25	84850-92	NUT (2)	ALL
26	90634-93	BOTTOM, saddle bag (prime), right	ALL
	90796-93	BOTTOM, saddle bag (prime), left NOTE: For ABS saddle bag part numbers see Painted Parts Catalog	ALL
27	90754-93	COVER, saddle bag (prime), right	ALL
	90776-93	COVER, saddle bag (prime), left	ALL
28	90675-93	GASKET, saddlebag cover (2)	ALL
29	90686-92	CAM HOOK (2)	ALL
30	90687-85	REINFORCING PLATE (2)	ALL
31	90764-93	CUSHION, saddlebag support (4) (3-ABS saddle bag)	ALL
32	90798-99	GASKET (2)	ALL
33	90820-93A B	LABEL, load limits (2)	ALL
34	90888-05A	CUSHION, saddlebag support, right front - ABS only	ALL
35	90902-93	PLATE HINGE (4)	ALL
36	90926-84	BRACKET, spring latch (2)	ALL
37	90929-84	SPRING LATCH w/ knob (2)	ALL
38	90964-63	BACKING PLATE (12) (16)	ALL
39	90965-63	90967-64 RIVET (40) (32)	ALL
40	90834-95A	BAIL HEAD STUD (4)	ALL
41	8562	Pop Rivet (6)	ALL

## FLT POLI CE MODELS

FLHTPI	FM
FLHPI	FH
FLHPEI	FT